



## Consumable Parts Kit

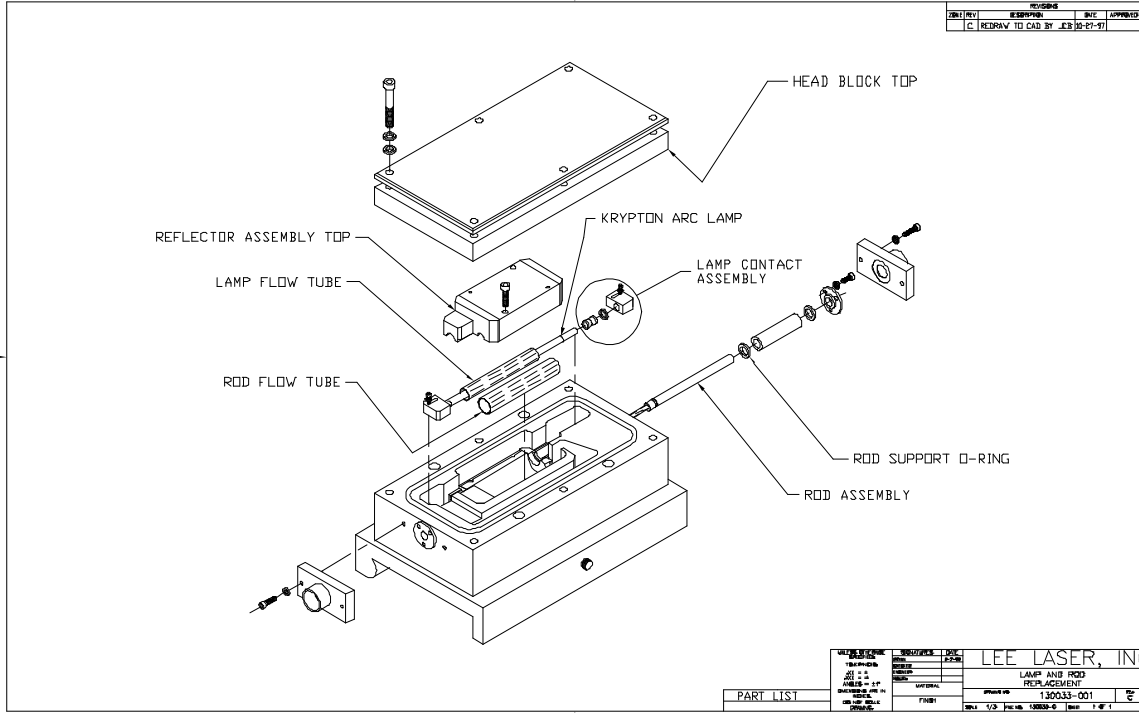
### Series 600 Pulsed Nd:YAG Lasers

The Consumable Parts Kit contains a selection of spare and replacement parts that are consumed during normal operation of your Series 600 Nd:YAG Laser. Their replacement should be included as part of your regularly scheduled routine maintenance program. Each kit is designed to support the operation of a laser for a period of up to 6 months, depending on laser usage. Each kit contains:

- **Krypton Flashlamp:** 5 each Replace every 500 million pulses, or as required.
- **Lamp Flow Tube:** 3 each Replace as required.
- **Lamp Contact Band:** 2 each Replace every 3<sup>rd</sup> lamp change, or as required.
- **Deionized Water Filter Cartridge:** 1 only Replace every 4-6 months.

Of the above kit contents, the flashlamps will require the most frequent replacement. For most reliable laser operation, you should establish a routine maintenance schedule that includes the changing of flashlamps, lamp contact bands and DI water filter cartridges. The schedule should be based on the operational experience of that laser so that manufacturing or other operations for which the laser is used need not be disturbed.

During routine or periodic maintenance, it is recommended that the user carefully inspect the laser for cleanliness of optical surfaces, tightness of water and electrical connections, and general integrity of the system. Inspect water particle traps in the DI water lines near the pump, and remove any entrapped glass. Should flashlamps or flow tubes fracture, all glass particles should be carefully removed to prevent restriction of water flow. Use of a shop vacuum cleaner is recommended to avoid scratching of the highly polished gold reflector surface. Any damage to this surface will result in reduced laser efficiency and eventual corrosion of the reflector itself.



DATE	REVISED	BY	APPROVED
C. REDRAW TO CAD BY J.E. 10-21-97			

PART LIST	DATE	REVISED	BY	APPROVED
	10-21-97			
LEE LASER, INC.				
LAMP AND ROD REPLACEMENT				
PART NO. 130033-001				
REV. C/S P. 1 OF 1				