



Consumable Parts Kit

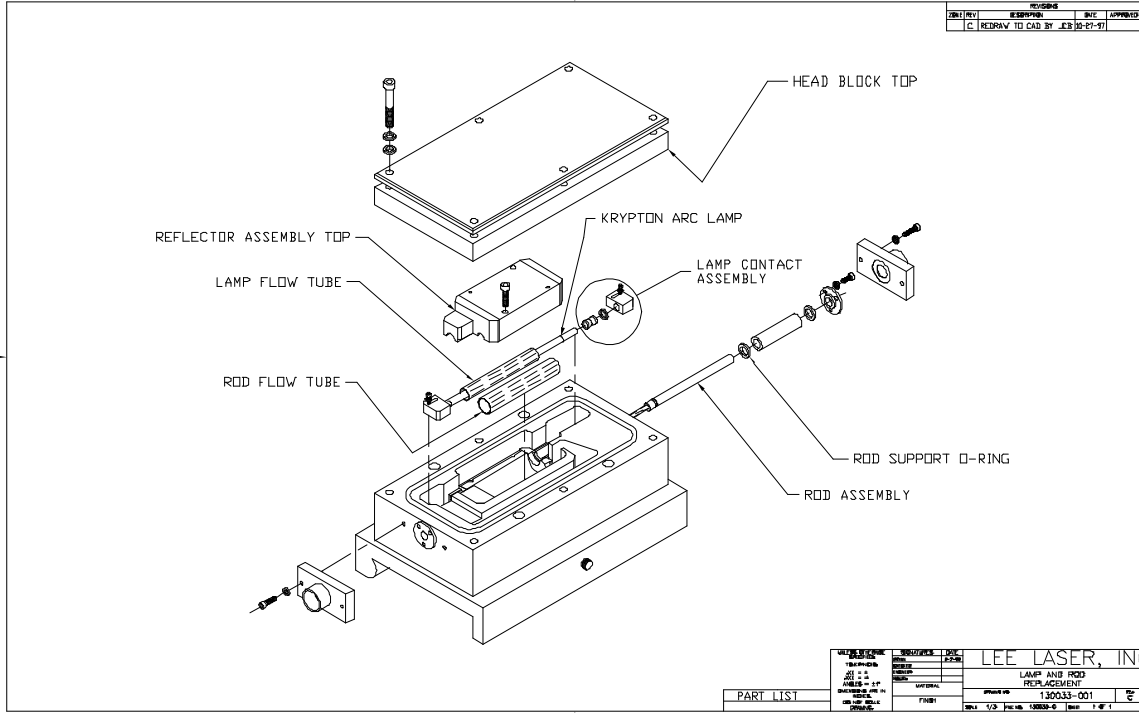
Series 800 CW and Q-switched Nd:YAG Lasers

The Consumable Parts Kit contains a selection of spare and replacement parts that are consumed during normal operation of your laser. Their replacement should be included as part of your regularly scheduled routine maintenance program. Each kit is designed to support the operation of a laser for a period of up to 6 months, depending on laser usage. Each kit contains:

- **Arc Lamps:** 5 each Replace every 200 hours, or as required.
- **Lamp Flow Tube:** 3 each Replace as required.
- **Lamp Contact Band:** 2 each Replace every 3rd lamp change, or as required.
- **Deionized Water Filter Cartridge:** 1 only Replace every 4-6 months.

Of the above kit contents, the arc lamps will require the most frequent replacement. For most reliable laser operation, you should establish a routine maintenance schedule that includes the changing of arc lamps, lamp contact bands and DI water filter cartridges. The schedule should be based on the operational experience of that laser so that manufacturing or other operations for which the laser is used need not be disturbed.

During routine or periodic maintenance, it is recommended that the user carefully inspect the laser for cleanliness of optical surfaces, tightness of water and electrical connections, and general integrity of the system. Inspect water particle traps in the DI water lines near the pump, and remove any entrapped glass. Should lamps or flow tubes fracture, all glass particles should be carefully removed to prevent restriction of water flow. Use of a shop vacuum cleaner is recommended to avoid scratching of the highly polished gold reflector surface. Any damage to this surface will result in reduced laser efficiency and eventual corrosion of the reflector itself.



REV	DESCRIPTION	DATE	APPROVED
1	C. REDRAW TO CAD BY J.E. 10-21-97		

PART LIST	DATE: 10-21-97	DESIGNER: J.E.	DR: J.E.	SCALE: 1:1	LEE LASER, INC.
	REV: 1	APP'D: J.E.	CHECK'D: J.E.	PROJ: 130033-001	
				LAMP AND ROD REPLACEMENT	
				130033-001	
				REV. 1/3	