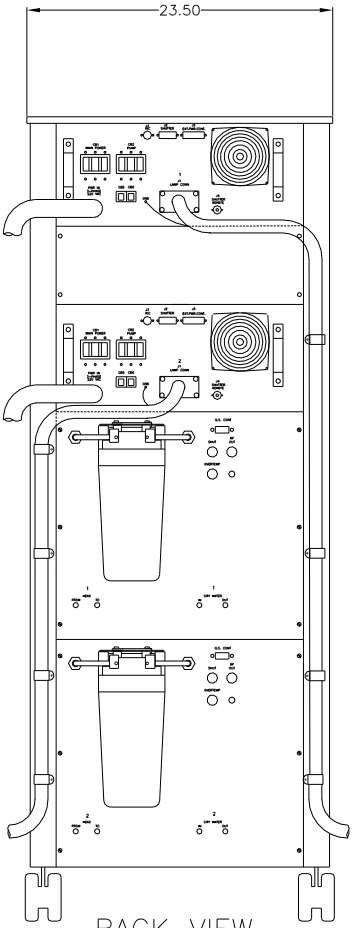
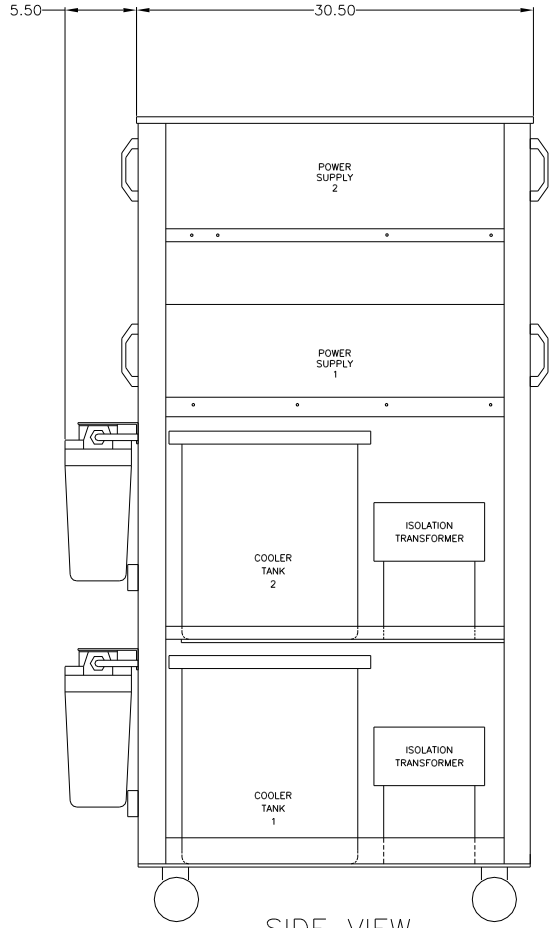


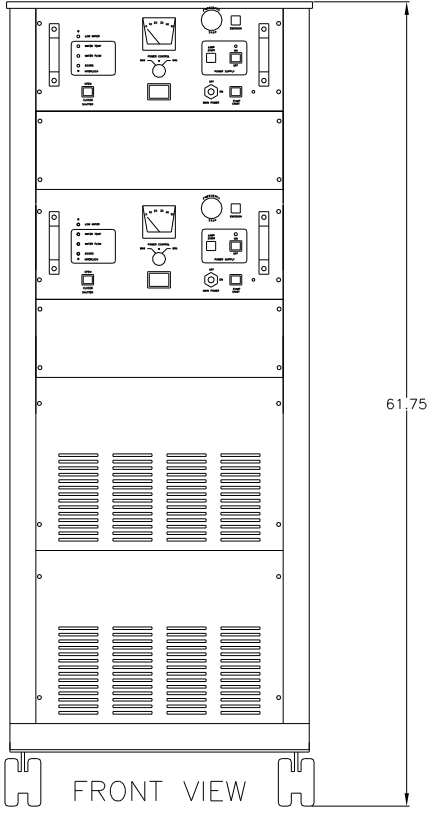
REVISIONS				
ZONE	REV	DESCRIPTION	DATE	ECN
A		UPDATE AS BUILT	11-13-2002	JCB



BACK VIEW



SIDE VIEW



FRONT VIEW

<p>LEE LASER PROPRIETARY DATA: THIS DOCUMENT CONTAINS PROPRIETARY INFORMATION OF LEE LASER, INC. IT IS TRANSMITTED TO YOU IN CONFIDENCE AND TRUST AND IS TO BE RETURNED UPON REQUEST. ITS CONTENTS MAY NOT BE DISCLOSED IN WHOLE OR IN PART TO OTHERS OR USED FOR OTHER THAN THE PURPOSE FOR WHICH IT IS TRANSMITTED WITHOUT THE PRIOR WRITTEN PERMISSION OF LEE LASER, INC.</p>			
UNLESS OTHERWISE SPECIFIED:	TOLERANCES:	XXX = ±	ANGLES = 8°
DO NOT SCALE DRAWING.	DO NOT SCALE DRAWING.	DO NOT SCALE DRAWING.	DO NOT SCALE DRAWING.
<p>DATE: 8-9-99</p> <p>SIGNATURES: JCB</p>		<p>DATE: 8-9-99</p> <p>SIGNATURES: JCB</p>	
<p>MATERIAL:</p>		<p>FINISH:</p>	
<p>SCALE: NONE</p>		<p>FILE NO.: 130164-A</p>	
<p>PART LIST</p>		<p>DRAWING NO.: 130164</p>	
<p>REV: A</p>		<p>SHEET: 1 OF 1</p>	

LEE LASER, INC.  
DUAL POWER STATION  
WITHOUT RF.