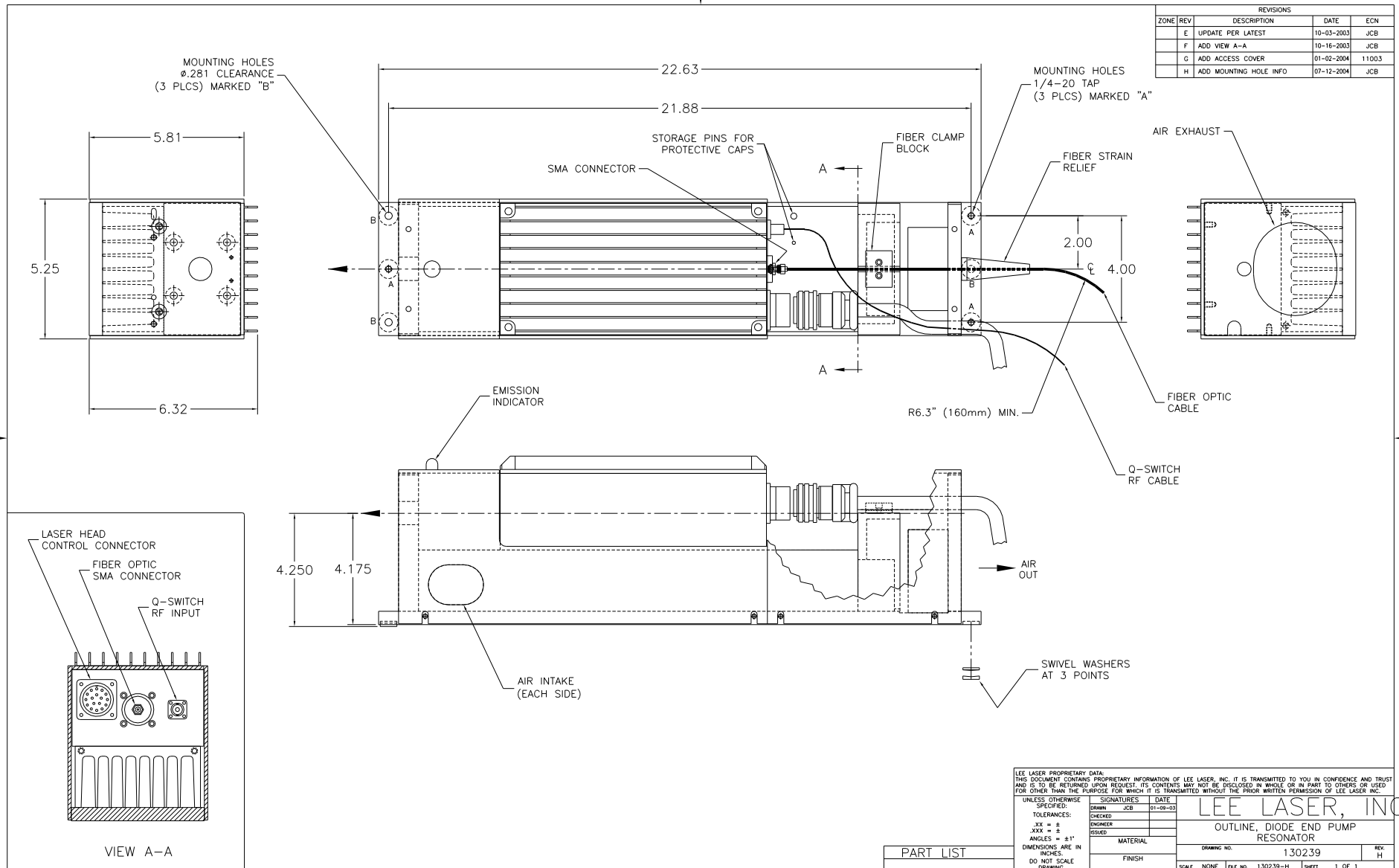


REVISIONS				
ZONE	REV	DESCRIPTION	DATE	ECN
	E	UPDATE PER LATEST	10-03-2003	JCB
	F	ADD VIEW A-A	10-16-2003	JCB
	G	ADD ACCESS COVER	01-02-2004	11003
	H	ADD MOUNTING HOLE INFO	07-12-2004	JCB



LEE LASER PROPRIETARY DATA:
THIS DOCUMENT CONTAINS PROPRIETARY INFORMATION OF LEE LASER, INC. IT IS TRANSMITTED TO YOU IN CONFIDENCE AND TRUST AND IS TO BE RETURNED UPON REQUEST. ITS CONTENTS MAY NOT BE DISCLOSED IN WHOLE OR IN PART TO OTHERS OR USED FOR OTHER THAN THE PURPOSE FOR WHICH IT IS TRANSMITTED WITHOUT THE PRIOR WRITTEN PERMISSION OF LEE LASER, INC.

UNLESS OTHERWISE SPECIFIED:		SIGNATURES	DATE
DRAWN	JCB		01-09-03
CHECKED			
ENGINEER			
DESIGNED			
TOLERANCES:		MATERIAL	
XX = ±		FINISH	
.XXX = ±			
ANGLES = ±1°			
DIMENSIONS ARE IN INCHES.			
DO NOT SCALE DRAWING.			

PART LIST		DRAWING NO. 130239		REV. H
		SCALE NONE	FILE NO. 130239-H	SHEET 1 OF 1

LEE LASER, INC.
OUTLINE, DIODE END PUMP RESONATOR