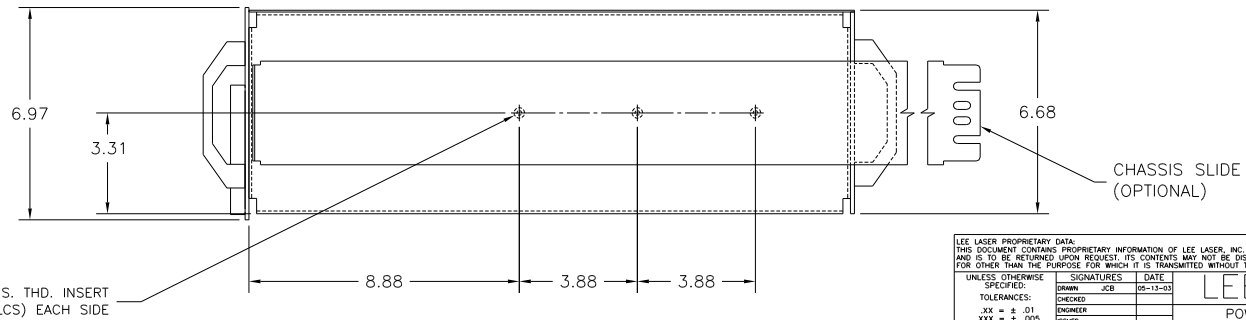
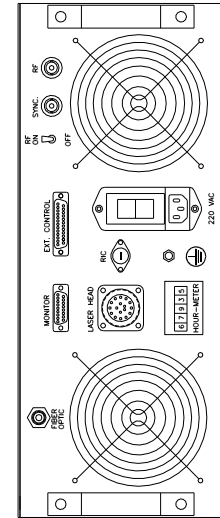
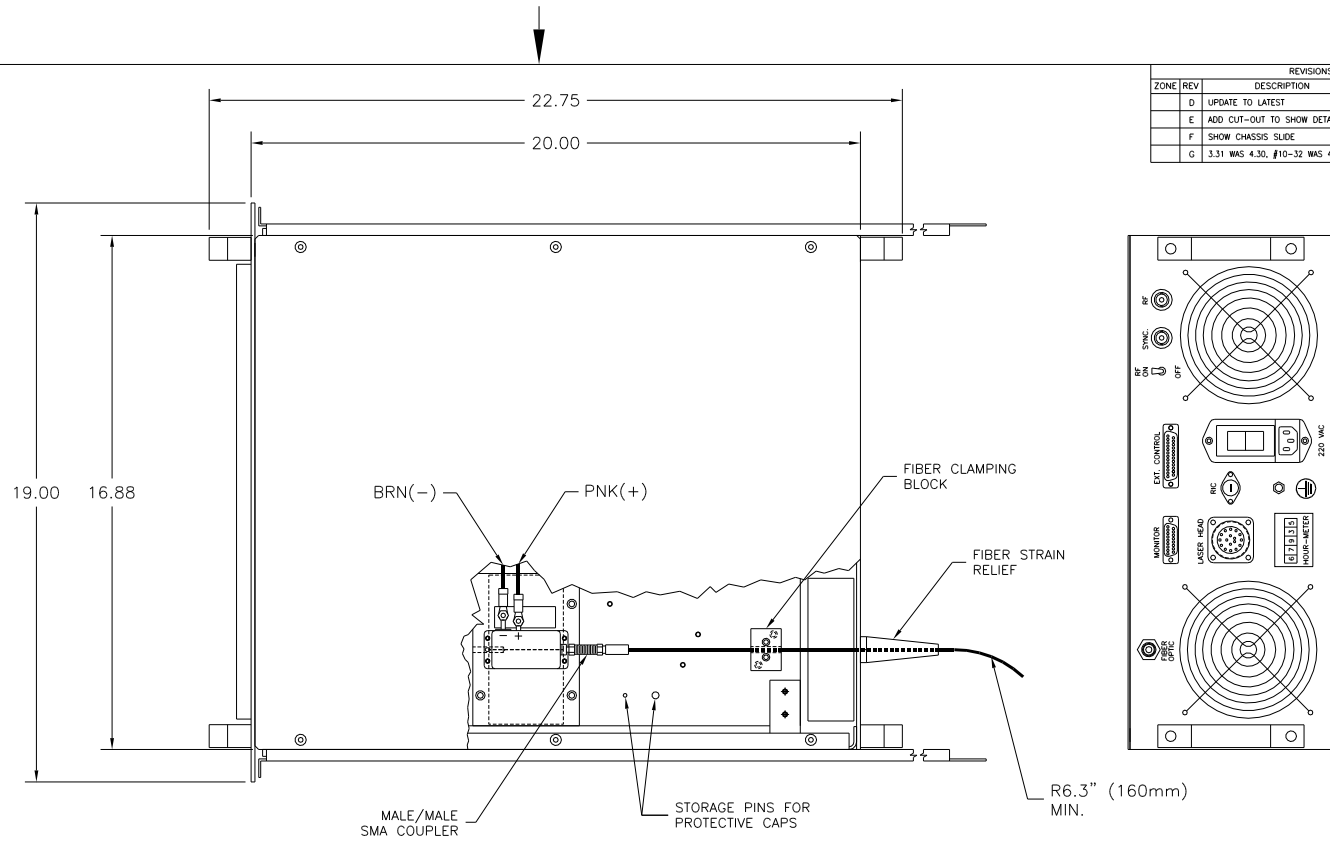
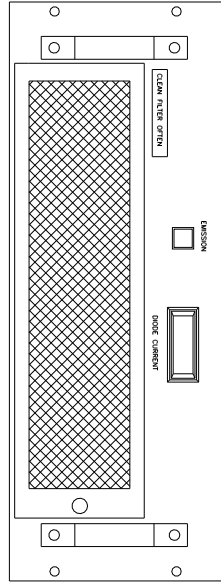


REVISIONS				
ZONE	REV	DESCRIPTION	DATE	ECN
	D	UPDATE TO LATEST	10-02-2003	JCB
	E	ADD CUT-OUT TO SHOW DETAIL	10-16-2003	JCB
	F	SHOW CHASSIS SLIDE	01-07-2004	JCB
	G	3.31 WAS 4.30, #10-32 WAS 4-PLCS	06-28-2004	JCB



LEE LASER PROPRIETARY DATA:  
THIS DOCUMENT CONTAINS PROPRIETARY INFORMATION OF LEE LASER, INC. IT IS TRANSMITTED TO YOU IN CONFIDENCE AND TRUST AND IS TO BE RETURNED UPON REQUEST. ITS CONTENTS MAY NOT BE DISCLOSED IN WHOLE OR IN PART TO OTHERS OR USED FOR OTHER THAN THE PURPOSE FOR WHICH IT IS TRANSMITTED WITHOUT THE PRIOR WRITTEN PERMISSION OF LEE LASER, INC.

UNLESS OTHERWISE SPECIFIED:	SIGNATURES	DATE
TOLERANCES:	DRAWN	JCB
.XX = ± .01	CHECKED	02-15-03
.XXX = ± .005	ENGINEER	
ANGLES = ±1°	DESIGNED	
DIMENSIONS ARE IN INCHES.	MATERIAL	
DO NOT SCALE DRAWING.	FINISH	

<b>LEE LASER, INC.</b> POWER SUPPLY, END PUMP LAYOUT DRAWING	
DRAWING NO. 130244	REV. G
SCALE NONE	FILE NO. 130244-G
SHEET 1 OF 1	

PART LIST