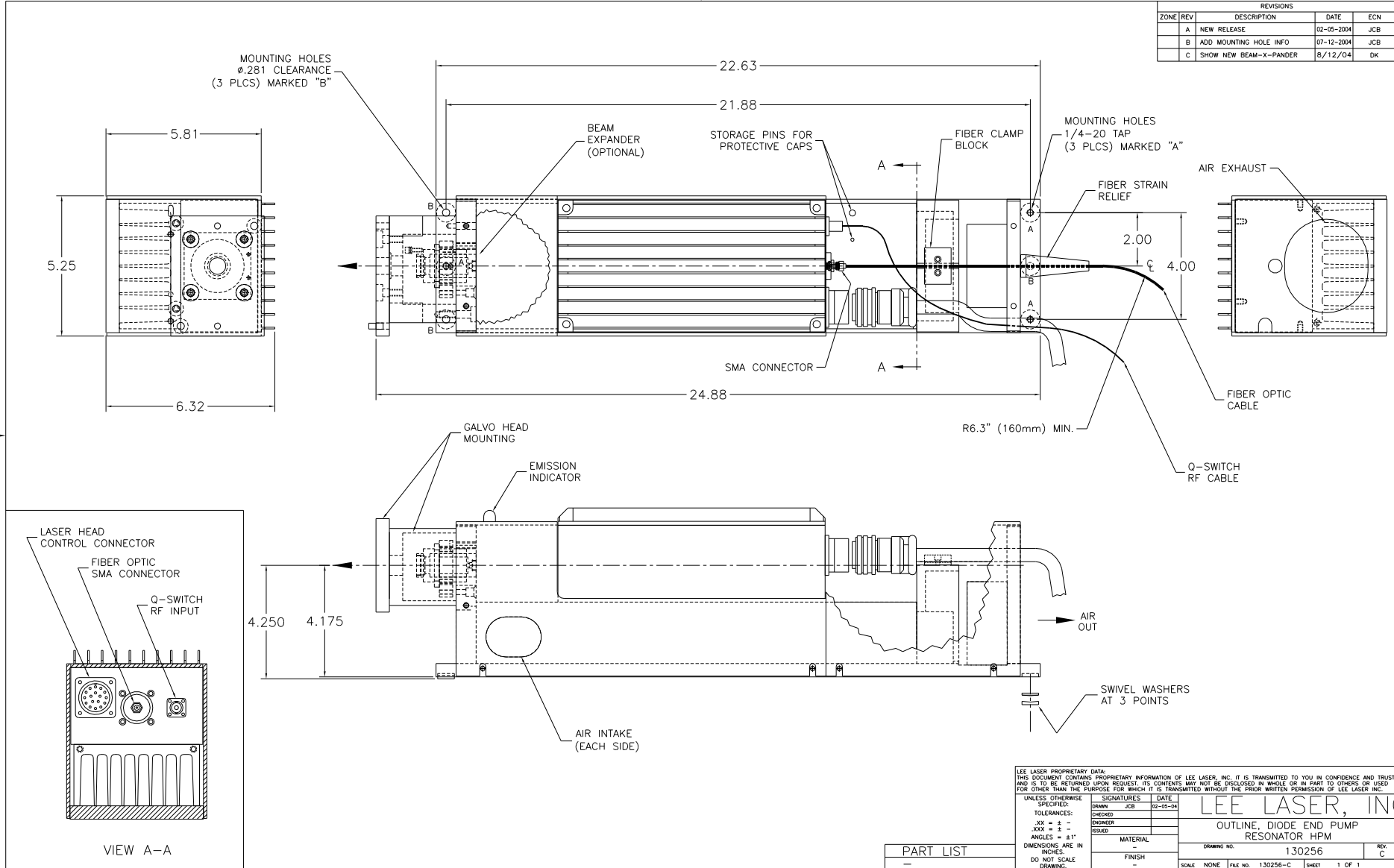


REVISIONS				
ZONE	REV	DESCRIPTION	DATE	ECN
A	NEW RELEASE		02-05-2004	JCB
B	ADD MOUNTING HOLE INFO		07-12-2004	JCB
C	SHOW NEW BEAM-X-PANDER		8/12/04	DK



LEE LASER PROPRIETARY DATA:
 THIS DOCUMENT CONTAINS PROPRIETARY INFORMATION OF LEE LASER, INC. IT IS TRANSMITTED TO YOU IN CONFIDENCE AND TRUST AND IS TO BE RETURNED UPON REQUEST. ITS CONTENTS MAY NOT BE DISCLOSED IN WHOLE OR IN PART TO OTHERS OR USED FOR OTHER THAN THE PURPOSE FOR WHICH IT IS TRANSMITTED WITHOUT THE PRIOR WRITTEN PERMISSION OF LEE LASER, INC.

UNLESS OTHERWISE SPECIFIED:		SIGNATURES	DATE
DRAWN	JCB		02-05-04
CHECKED			
ENGINEER			
DESIGNED			
MATERIAL			
FINISH			

LEE LASER, INC.
 OUTLINE, DIODE END PUMP
 RESONATOR HPM

DRAWING NO.	130256	REV.	C
SCALE	NONE	FILE NO.	130256-C
SHEET	1 OF 1		

PART LIST	
---	---