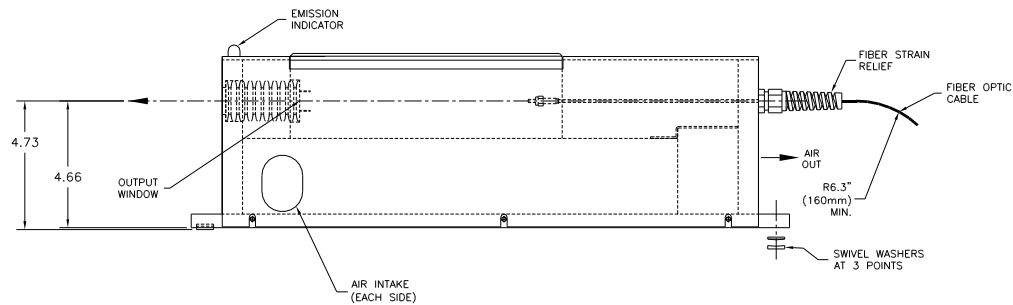
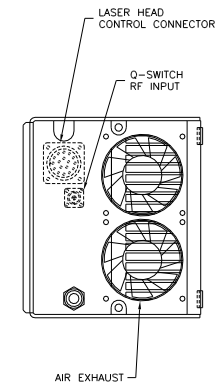
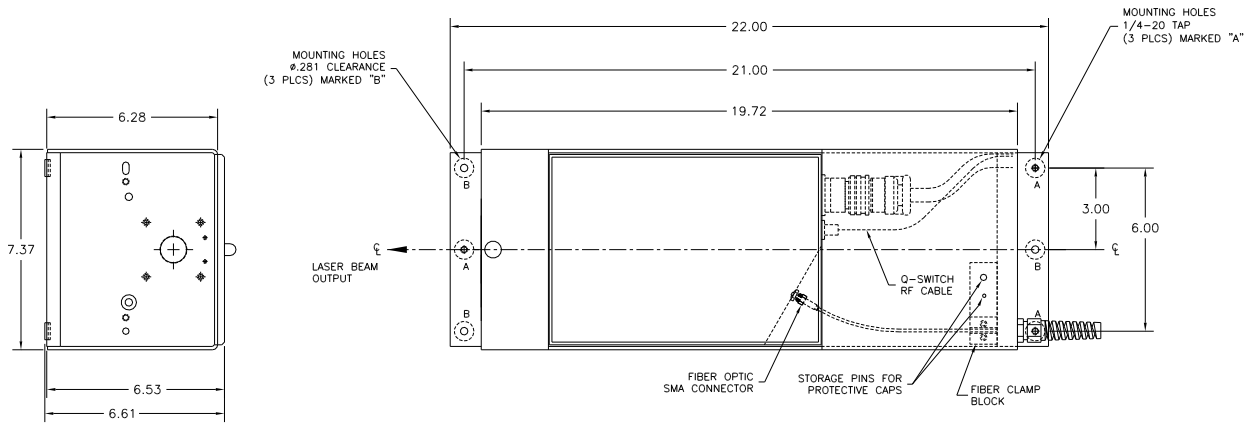


REVISIONS				
ZONE	REV	DESCRIPTION	DATE	ECN
	A	NEW RELEASE	03-04-2005	KPK
	B	CHG DESIGN TO MATCH HWM STRLE	03-07-2005	KPK



LEE LASER PROPRIETARY DATA:
THIS DOCUMENT CONTAINS PROPRIETARY INFORMATION OF LEE LASER, INC. IT IS TRANSMITTED TO YOU IN CONFIDENCE AND TRUST AND IS TO BE RETURNED UPON REQUEST. ITS CONTENTS MAY NOT BE DISCLOSED IN WHOLE OR IN PART TO OTHERS OR USED FOR OTHER THAN THE PURPOSE FOR WHICH IT IS TRANSMITTED WITHOUT THE PRIOR WRITTEN PERMISSION OF LEE LASER, INC.

UNLESS OTHERWISE SPECIFIED:	SIGNATURES		DATE
	DRAWN	CHECKED	
TOLERANCES:			03-04-05
XX = ± .01			
.XXX = ± .005			
ANGLES = ±1°			
DIMENSIONS ARE IN INCHES.			
DO NOT SCALE DRAWING.			

PART LIST		NONE	
-----------	--	------	--

MATERIAL		FINISH	
----------	--	--------	--

DRAWING NO. 130293		REV. B	
SCALE NONE	FILE NO. 130293-B	SHEET 1 OF 1	

LEE LASER, INC.

OUTLINE, RESONATOR
END-PUMP GREEN