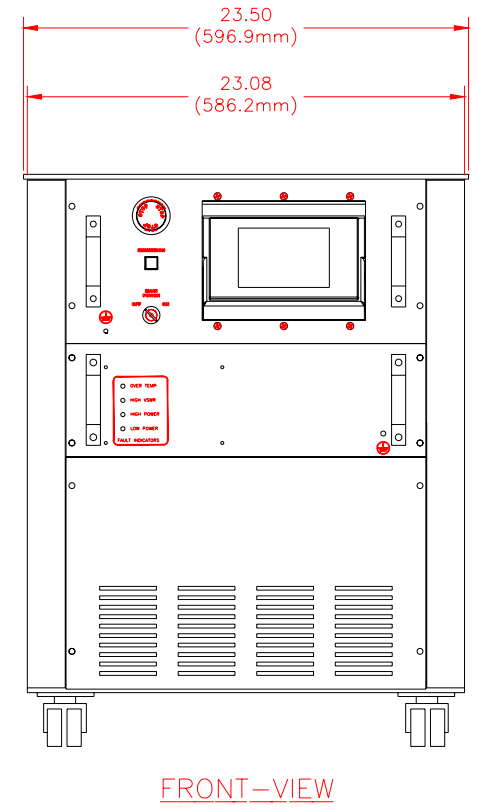
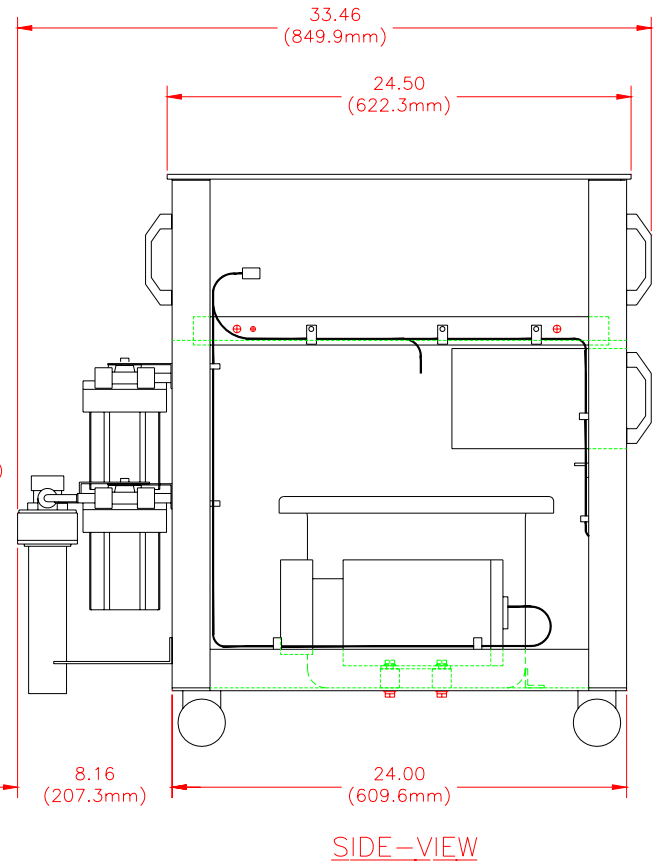
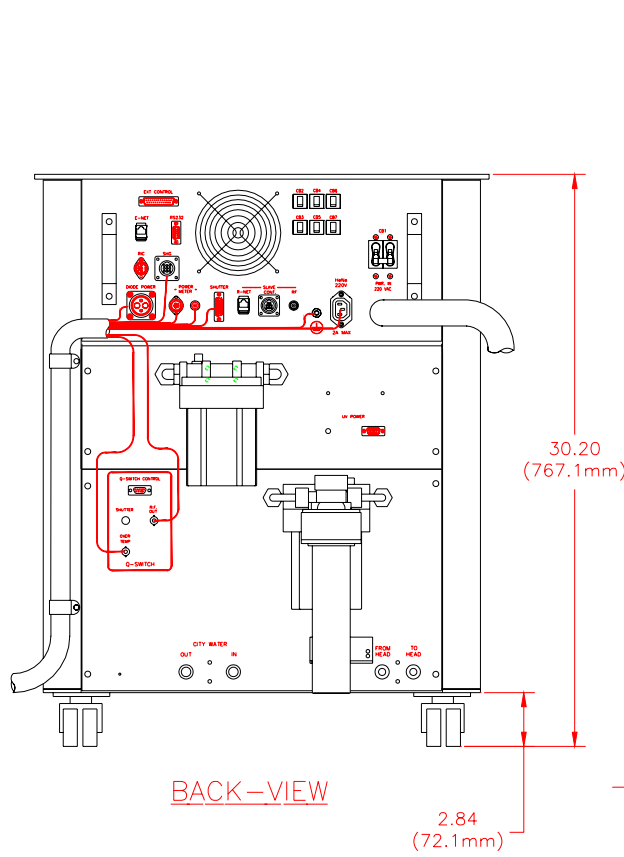


REVISIONS				
ZONE	REV	DESCRIPTION	DATE	ECN
	A	NEW RELEASE	05-15-2007	JCB
	B	ADD MILLIMETER DIMENSIONS	08-06-2008	JCB
	C	ADD CASTER DIM. & FIX DIM.	11-20-2008	JCB



PART LIST

LEE LASER PROPRIETARY DATA:  
THIS DOCUMENT CONTAINS PROPRIETARY INFORMATION OF LEE LASER, INC. IT IS TRANSMITTED TO YOU IN CONFIDENCE AND TRUST AND IS TO BE RETURNED UPON REQUEST. ITS CONTENTS MAY NOT BE DISCLOSED IN WHOLE OR IN PART TO OTHERS OR USED FOR OTHER THAN THE PURPOSE FOR WHICH IT IS TRANSMITTED WITHOUT THE PRIOR WRITTEN PERMISSION OF LEE LASER, INC.

UNLESS OTHERWISE SPECIFIED: TOLERANCES: .XX = ± .01 .XXX = ± .010 ANGLES = ± 1° DIMENSIONS ARE IN INCHES. DO NOT SCALE DRAWING.	SIGNATURES DRAWN: JCB CHECKED: ENGINEER: ISSUED:	DATE 05-15-07	<b>LEE LASER, INC.</b> DIODE SYSTEM OUTLINE MPC 10W-100W (WATER / WATER)	DRAWING NO. 130363	REV C
	MATERIAL:	FINISH:		SCALE NONE	FILE NO. 130363-C