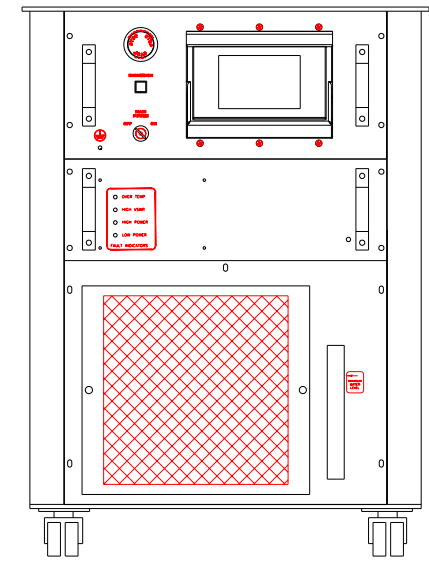
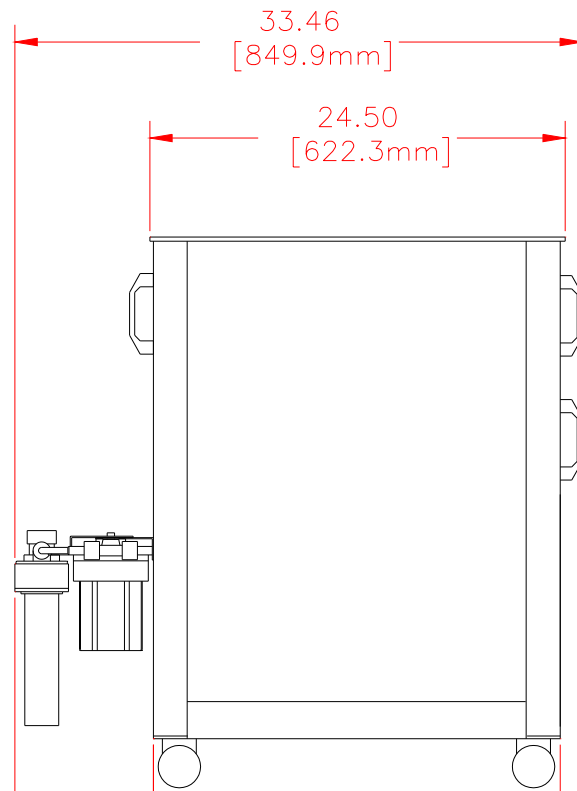
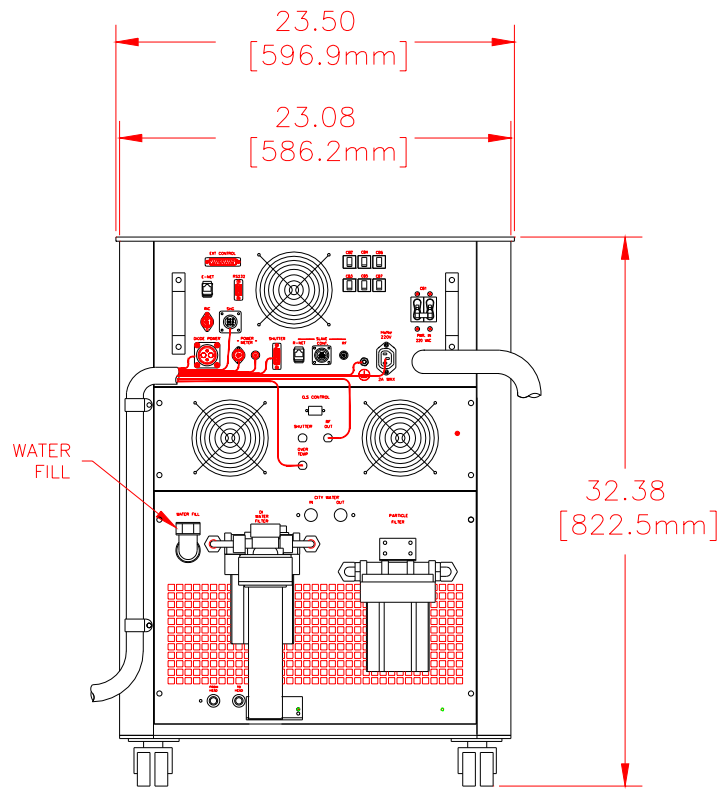


REVISIONS				
ZONE	REV	DESCRIPTION	DATE	ECN
	A	NEW RELEASE	10-24-2008	KPK
	B	33.46 WAS 33.55	02-05-2009	JCB



LEE LASER PROPRIETARY DATA:
THIS DOCUMENT CONTAINS PROPRIETARY INFORMATION OF LEE LASER, INC. IT IS TRANSMITTED TO YOU IN CONFIDENCE AND TRUST
AND IS TO BE RETURNED UPON REQUEST. ITS CONTENTS MAY NOT BE DISCLOSED IN WHOLE OR IN PART TO OTHERS OR USED
FOR OTHER THAN THE PURPOSE FOR WHICH IT IS TRANSMITTED WITHOUT THE PRIOR WRITTEN PERMISSION OF LEE LASER INC.

UNLESS OTHERWISE SPECIFIED: TOLERANCES: .XX = ± .XXX = ± ANGLES = ±1° DIMENSIONS ARE IN INCHES. DO NOT SCALE DRAWING.	SIGNATURES DRAWN: KPK CHECKED: ENGINEER: ISSUED:	DATE 10-24-08	LEE LASER, INC. DIODE SYSTEM OUTLINE LDP AIR COOLED REFRIG	DRAWING NO. 130389	REV B
PART LIST	MATERIAL	FINISH	SCALE NONE	FILE NO. 130389-B	SHEET 1 OF 1