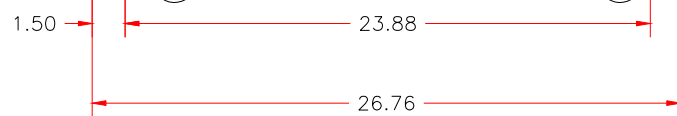
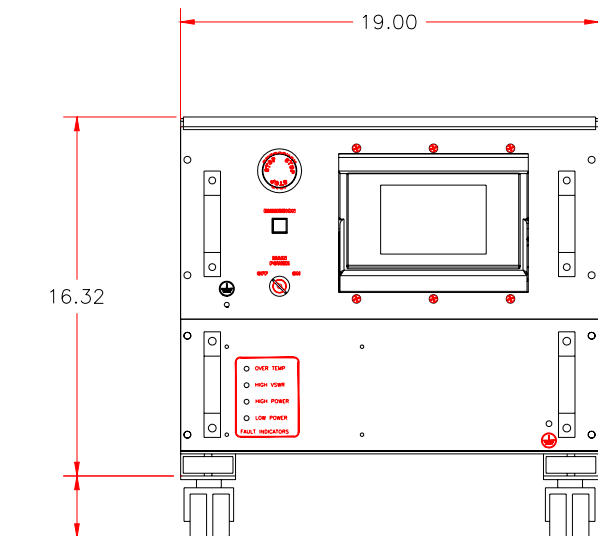
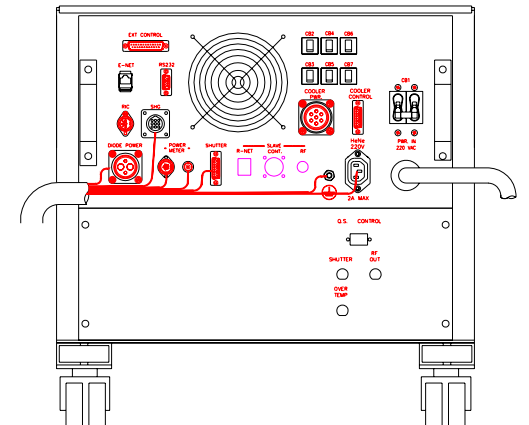
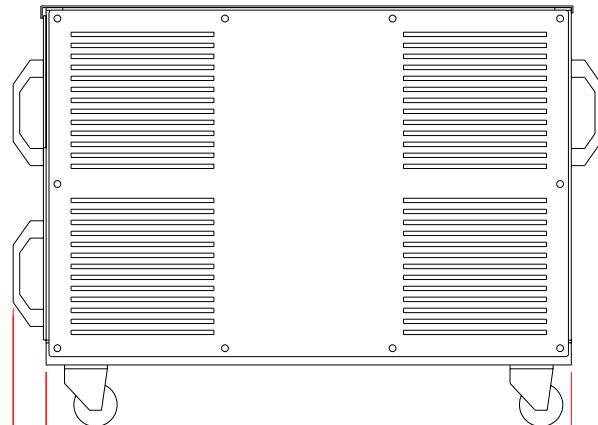
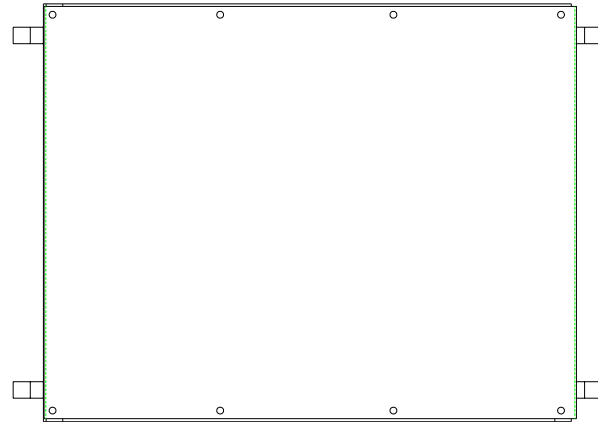


REVISIONS				
ZONE	REV	DESCRIPTION	DATE	ECN
	A	NEW RELEASE	07-01-2009	KPK



- OVER TEMP
- HIGH POWER
- LOW POWER
- FAULT INDICATORS

OPTIONAL WHEELS

PART LIST  
010525

LEE LASER PROPRIETARY DATA:  
THIS DOCUMENT CONTAINS PROPRIETARY INFORMATION OF LEE LASER, INC. IT IS TRANSMITTED TO YOU IN CONFIDENCE AND TRUST AND IS TO BE RETURNED UPON REQUEST. IT'S CONTENTS MAY NOT BE DISCLOSED IN WHOLE OR IN PART TO OTHERS OR USED FOR OTHER THAN THE PURPOSE FOR WHICH IT IS TRANSMITTED WITHOUT THE PRIOR WRITTEN PERMISSION OF LEE LASER INC.

UNLESS OTHERWISE SPECIFIED: TOLERANCES: .XX = ± .01 .XXX = ± .005 ANGLES = ± 1° DIMENSIONS ARE IN INCHES. DO NOT SCALE DRAWING.	SIGNATURES DRAWN: KPK CHECKED: ENGINEER: ISSUED:	DATE 07-01-09	<b>LEE LASER, INC.</b> PS/RF ASSEMBLY, MPC PORTABLE
	MATERIAL	FINISH	DRAWING NO. 130416 SCALE NONE FILE NO. 130416-A SHEET 1 OF 1